



# SINKS

## TWO COMPARTMENT ONE DRAINBOARD

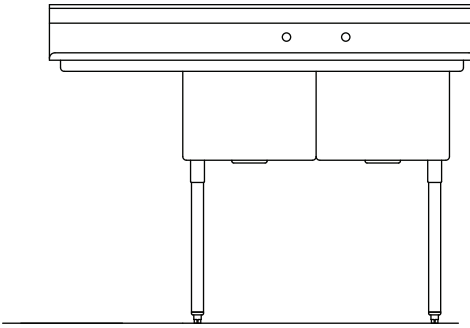


Item #:

Qty #:

Model #:

Project #:



### SINK FEATURES:

Fully fabricated bowl for the full metal thickness throughout the bowl and greater durability than a drawn sink

9" high backsplash, with 2" return to wall at 45 degrees with easy installation tile edging

2 1/2 high. 180 degree sanitary rolled rim at all free edges

Leg assemblies located directly under the sink bowls for greater load support

Legs are 1 5/8" diameter tubing with adjustable bullet feet

All corners are covered at 5/8" radius, welded and polished to form a one-piece sanitary unit

All sinks are furnished with basket drains and 1" faucet holes punched in backsplash on 8" centers as required

Sinks with drainboards 30" and longer have additional legs under each drainboard for added strength

### SINK OPTIONS:

#### PARAMOUNT SERIES

- 14 Gauge type 304 stainless steel
- 12" bowl depth
- Stainless steel legs & crossrails
- NSF listed

#### STANDARD SERIES

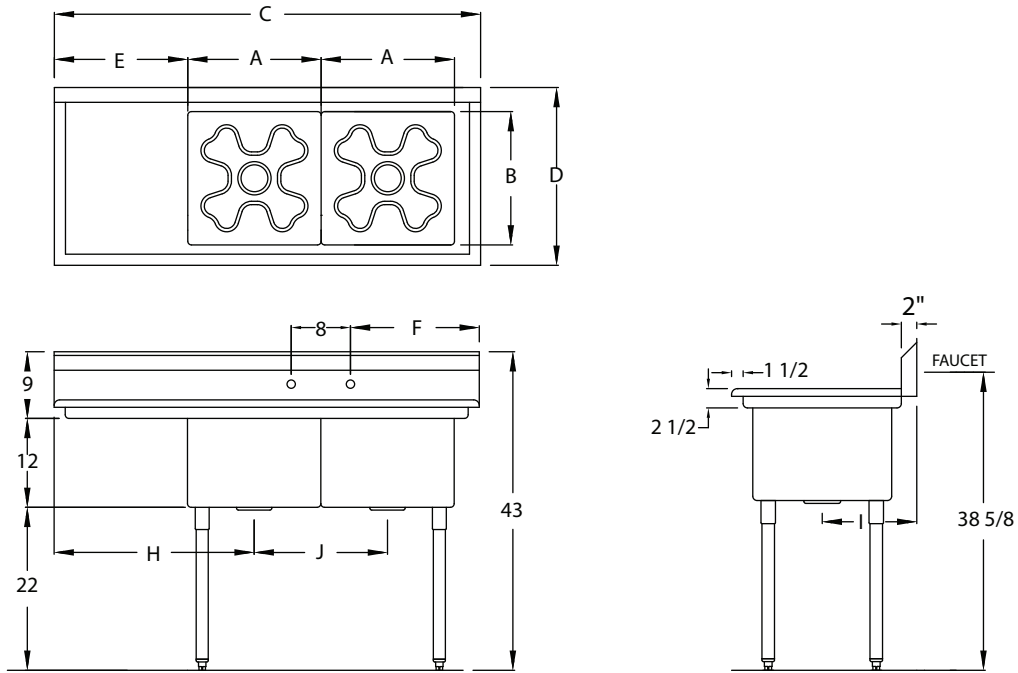
- 16 gauge type 304 stainless steel
- 12" bowl depth
- Galvanized legs (stainless steel available)
- NSF listed

#### ECONOMY SERIES

- 18 gauge 304 tubs
- 12" bowl depth
- Galvanized legs (stainless steel available)
- NSF listed

DIMENSIONS		PARAMOUNT		STANDARD		ECONOMY	
BOWL SIZE	D/B SIZE	MODEL NO.	WT.	MODEL NO.	WT.	MODEL NO.	WT.
18 X 18	18"	RJ-P-2-1818-18 L or R	95	RJ-S-2-1818-18 L or R	85	RJ-E-2-1818-18 L or R	73
	24"	RJ-P-2-1818-24 L or R	100	RJ-S-2-1818-24 L or R	90	RJ-E-2-1818-24 L or R	77
	30"	RJ-P-2-1818-30 L or R	106	RJ-S-2-1818-30 L or R	96	N/A	N/A
18 X 24	18"	RJ-P-2-1824-18 L or R	120	RJ-S-2-1824-18 L or R	105	RJ-E-2-1824-18 L or R	90
	24"	RJ-P-2-1824-24 L or R	127	RJ-S-2-1824-24 L or R	110	RJ-E-2-1824-24 L or R	95
	30"	RJ-P-2-1824-30 L or R	135	RJ-S-2-1824-30 L or R	118	N/A	N/A
20 X 20	20"	RJ-P-2-2020-20 L or R	130	RJ-S-2-2020-20 L or R	110	RJ-E-2-2020-20 L or R	85
	24"	RJ-P-2-2020-24 L or R	135	RJ-S-2-2020-24 L or R	115	RJ-E-2-2020-24 L or R	90
	30"	RJ-P-2-2020-30 L or R	140	RJ-S-2-2020-30 L or R	122	N/A	N/A
24 X 24	24"	RJ-P-2-2424-24 L or R	145	RJ-S-2-2424-24 L or R	125	RJ-E-2-2424-24 L or R	105
	30"	RJ-P-2-2424-30 L or R	150	RJ-S-2-2424-30 L or R	133	RJ-E-2-2424-30 L or R	110
	36"	RJ-P-2-2424-36 L or R	156	RJ-S-2-2424-36 L or R	141	N/A	N/A
24 X 30	24"	RJ-P-2-2430-24 L or R	165	RJ-S-2-2430-24 L or R	151	N/A	N/A
	30"	RJ-P-2-2430-30 L or R	170	RJ-S-2-2430-30 L or R	158	N/A	N/A
	36"	RJ-P-2-2430-36 L or R	175	RJ-S-2-2430-36 L or R	164	N/A	N/A

# DIMENSIONS & SPECIFICATIONS



DIMENSIONS ARE TYPICAL (TOL. +/- 1/2")

MODEL	A	B	C	D	E	F	G	H	I	J
RJ-2-1818-18 L or R	18	18	57 1/2	24	18	17 1/2	N/A	27	12 1/4	18
RJ-2-1818-24 L or R	18	18	63 1/2	24	24	17 1/2	N/A	33	12 1/4	18
RJ-2-1818-30 L or R	18	18	69 1/2	24	30	17 1/2	N/A	39	12 1/4	18
RJ-2-1824-18 L or R	18	24	57 1/2	30	18	17 1/2	N/A	27	15 1/4	18
RJ-2-1824-24 L or R	18	24	63 1/2	30	24	17 1/2	N/A	33	15 1/4	18
RJ-2-1824-30 L or R	18	24	69 1/2	30	30	17 1/2	N/A	39	15 1/4	18
RJ-2-2020-20 L or R	20	20	63 1/2	26	20	19 1/2	N/A	30	13 1/4	20
RJ-2-2020-24 L or R	20	20	67 1/2	26	24	19 1/2	N/A	34	13 1/4	20
RJ-2-2020-30 L or R	20	20	73 1/2	26	30	19 1/2	N/A	40	13 1/4	20
RJ-2-2028-20 L or R	20	28	63 1/2	34	20	19 1/2	N/A	30	17 1/4	20
RJ-2-2028-24 L or R	20	28	67 1/2	34	24	19 1/2	N/A	34	17 1/4	20
RJ-2-2028-30 L or R	20	28	73 1/2	34	30	19 1/2	N/A	40	17 1/4	20
RJ-2-2424-24 L or R	24	24	75 1/2	30	24	23 1/2	N/A	36	15 1/4	24
RJ-2-2424-30 L or R	24	24	81 1/2	30	30	23 1/2	N/A	42	15 1/4	24
RJ-2-2424-36 L or R	24	24	87 1/2	30	36	23 1/2	N/A	48	15 1/4	24
RJ-2-2430-24 L or R	24	30	75 1/2	36	24	23 1/2	N/A	36	18 1/4	24
RJ-2-2430-30 L or R	24	30	81 1/2	36	30	23 1/2	N/A	42	18 1/4	24
RJ-2-2430-36 L or R	24	30	87 1/2	36	36	23 1/2	N/A	48	18 1/4	24



RJ Fabricators reserves the right to progressively alter our product specifications to maintain our premium quality.